

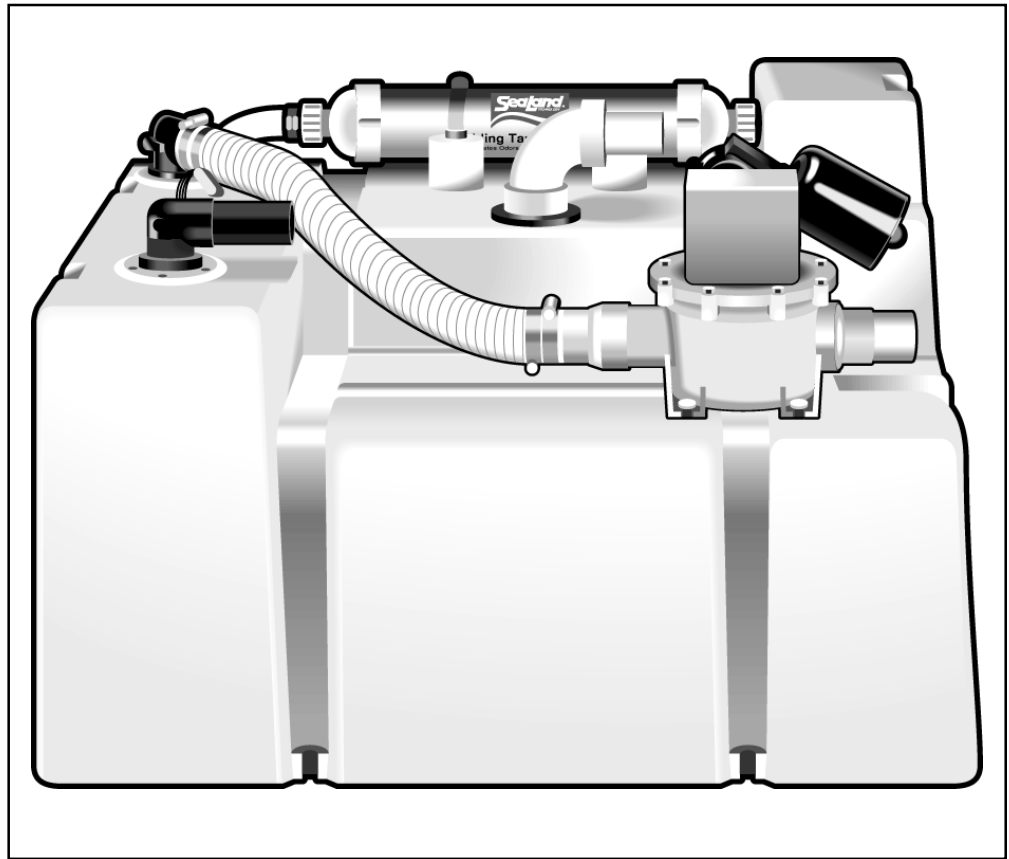
---

# HOLDING TANK SYSTEM

---

## OWNER'S MANUAL

---



13128 State Rt 226, P.O. Box 38, Big Prairie, Ohio 44611

SeaLand Hotline 1-800-321-9886

(8:00 a.m. - 5:00 p.m. ET)

---



# TABLE OF CONTENTS

Features . . . . .	3	Wiring . . . . .	6
Installation Instructions . . . . .	3 - 4	Parts List . . . . .	8 - 10
Cleaning . . . . .	5	Manufacturer's One-Year Limited Warranty . . . . .	12
Specifications . . . . .	5		
Winterizing . . . . .	5		

## FEATURES

SeaLand's Models 28 and 40 Holding Tank System (HTS) space-saving design combines the level indicator, vent filter, overboard discharge pump and TankSaver® Vacuum Relief Valve into one package. Model 42HTS includes Vacuum Generator, level indicator, vent filter, overboard discharge pump, and TankSaver Vacuum Relief Valve. Model 18HTS includes level indicator, Vacuum Generator, discharge diptube, and TankSaver Vacuum Relief Valve.

The HTS simplifies installation by assembling and testing all components at the factory. Integral mounting feet eliminate all strapping. Separate connections are provided to the overboard discharge and dockside fittings.

Exceeds proposed ISO standard with 95% removal of tank contents. Material is 5/16-inch [7.9mm] durable linear low density polyethylene (LLDPE) with no seams to leak. All penetrations are located above highest level of tank contents.

The TankWatch® level indicator cap has three positioned floats adjusted to indicate when tank is empty, mid range and full. The HTS can also be used with the optional TankWatch 4 level indicator panel, which designates the level of the tank contents.

SeaLand's holding tank vent filter contains odor-removing media, which eliminate odors from the tank vent. Each cartridge is good for one boating season and is easily replaced. Filter sold separately from 18 Gallon HTS.

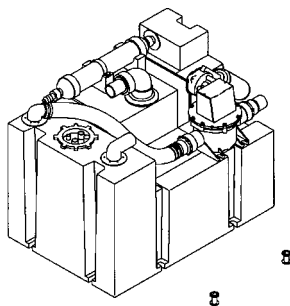
The overboard discharge pump will empty a tank at a rate of 3.9 gpm [14.75 Liters/minute], can run dry without harming the pump and is self priming.

The 1 1/2" TankSaver valve provides excellent odor seal and meets the proposed ISO standard on venting requirements. The TankSaver valve will protect the holding tank from excessive suction by dockside pumps.

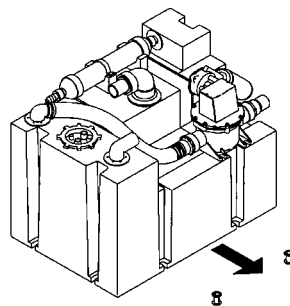
## INSTALLATION INSTRUCTIONS

Note: Spindles not supplied with 18HTS.

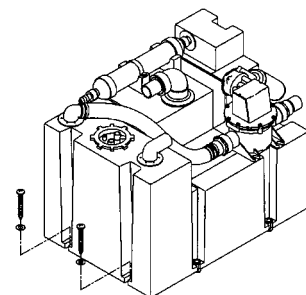
1. Avoid mounting the holding tanks next to extreme heat sources, such as engine manifolds.
2. Mount to surface supporting the entire area of the tank. Avoid mounting tank on projections such as screw or bolt heads, which could puncture the tank.
3. Secure the tank as indicated below.



Mount (2) brass spindles using #10 x 2" (minimum) screw. Spindles are to be mounted on the two sides of the tank with limited access.



Slide tank and secure to the brass mounting spindles.



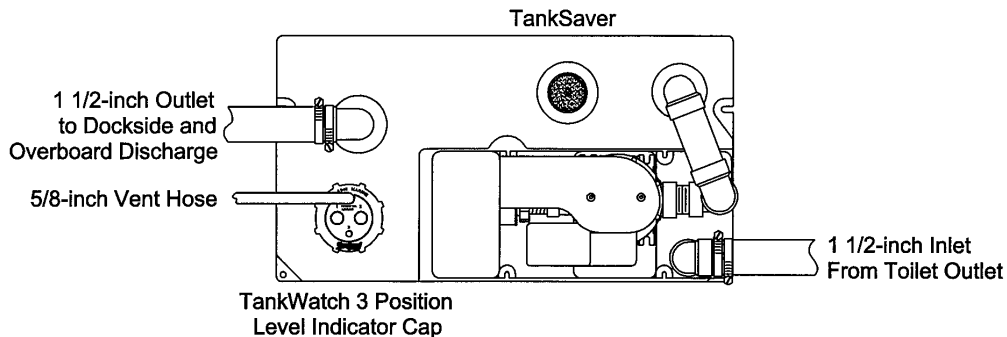
Secure the remaining mounting locations with #14 x 2" (minimum) screws and washers.

# INSTALLATION INSTRUCTIONS (cont'd)

Secure 5/8-inch vent hose, 1 1/2" holding tank inlet hose, 1 1/2" dockside discharge hose, and 1 1/2" overboard discharge pump hose (optional). SeaLand recommends that all 1 1/2" hoses be secured with double clamps to prevent any leaks that may occur if the fittings are undersized.

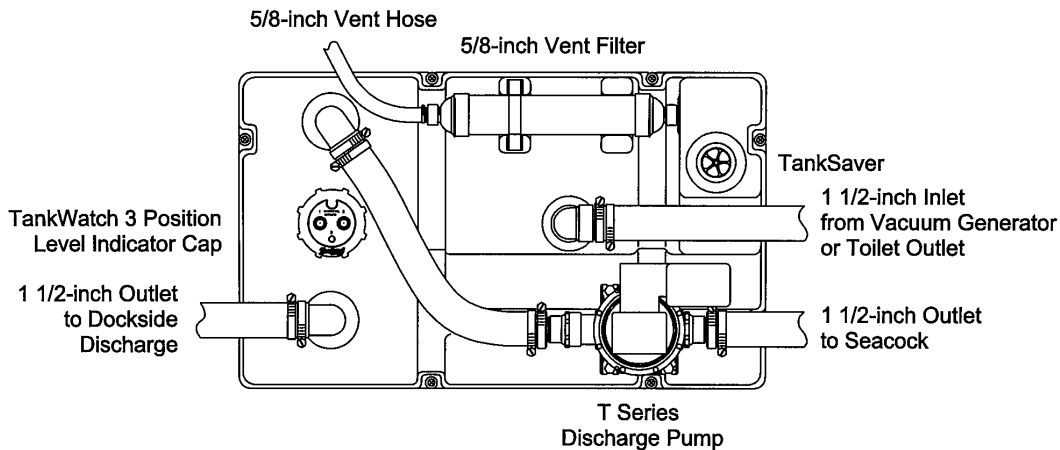
## MODEL 18 HOLDING TANK SYSTEM WITH VACUFLUSH TOILET SYSTEM VACUUM GENERATOR

(top view shown)



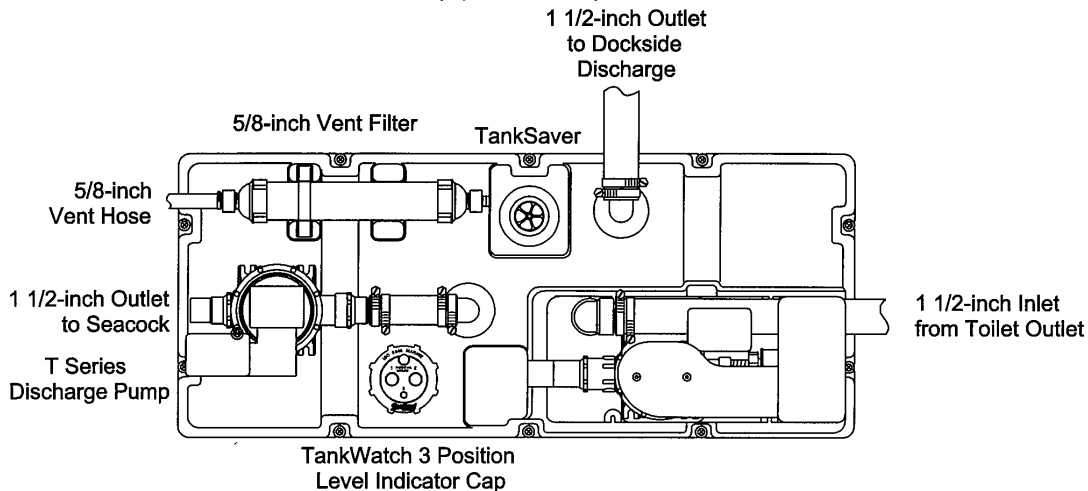
## MODEL 28 AND 40 HOLDING TANK SYSTEMS (SHOWN WITH OPTIONAL OVERBOARD DISCHARGE PUMP)

(top view shown)



## MODEL 42 HOLDING TANK SYSTEM WITH VACUFLUSH TOILET SYSTEM VACUUM GENERATOR (SHOWN WITH OPTIONAL OVERBOARD DISCHARGE PUMP)

(top view shown)



# CLEANING

A small amount of water remains in all marine holding tanks. It is good practice to rinse the tank after the contents have been discharged. This can be accomplished by adding water to the toilet bowl. Add 8 ounces (237ml) of Secure® Holding Tank Deodorant and Cleaner to the bowl. Flush the entire contents into the holding tank and continue flushing until the discharge from the holding tank is clear.

**Do not use chlorine-based cleaners, caustic cleaners or chemicals, such as drain-opening products, as they may damage the system's seals and hose.**

# WINTERIZING

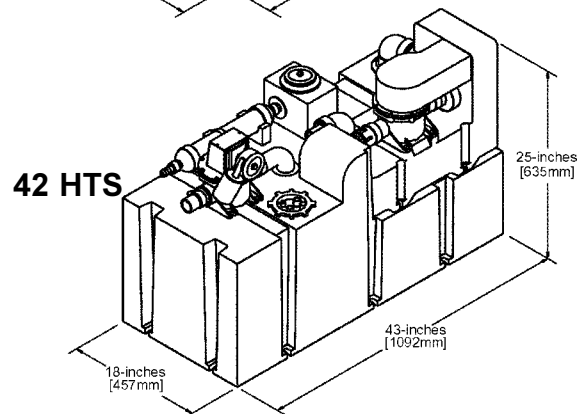
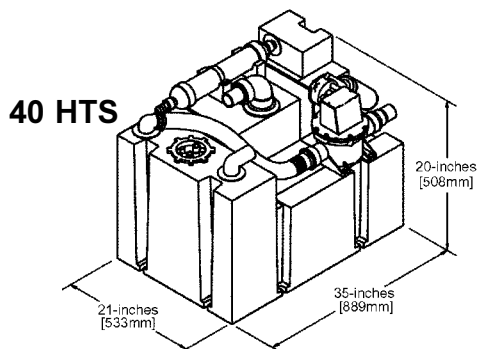
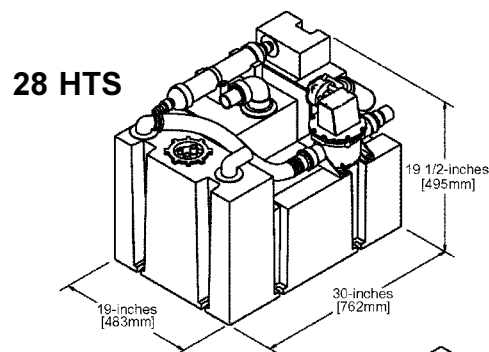
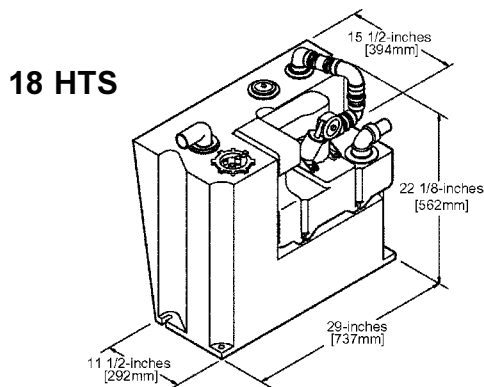
If using the HTS with SeaLand's VacuFlush® components, refer to VacuFlush Owner's Manual for winterization instructions. If using antifreeze to winterize the HTS, use only propylene glycol freshwater antifreeze that **does not contain alcohol**. Antifreeze that contains alcohol will result in damage to your sanitation system.

1. Pump out holding tank.
2. Thoroughly flush the system with fresh water before adding propylene glycol freshwater antifreeze to the HTS.
3. Turn off electrical power.

# SPECIFICATIONS

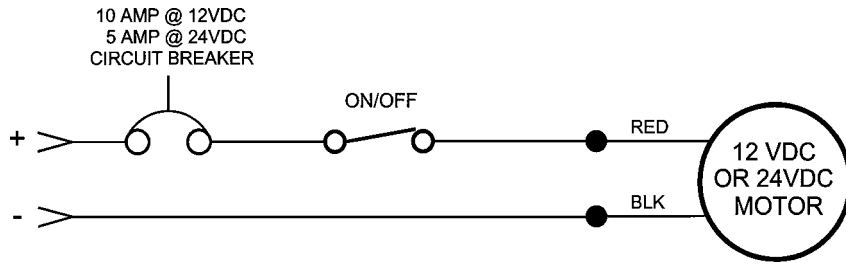
Model	Size Length x Width x Height	Capacity	Weight	Max. Weight	Residual Capacity	Number of Flushes*
18HTS	29" x 15 1/2" x 22 1/8" 737mm x 394mm x 562mm	18 Gallons 68 Liters	39 Lbs. 17.7 Kg	183 Lbs. 83 Kg	1.5 Gallons 5.6 Liters	50
28HTS	30" x 19" x 19 1/2" 762mm x 483mm x 495mm	28 Gallons 106 Liters	40 Lbs. 18 Kg	268 Lbs. 121.5 Kg	.8 Gallons 3 Liters	82
40HTS	35" x 21" x 20" 889mm x 533mm x 508mm	40 Gallons 151.4 Liters	44 Lbs. 20 Kg	380 Lbs. 172 Kg	1.6 Gallons 6 Liters	117
42HTS	43" x 18" x 24 1/8" 1092mm x 457mm x 638mm	42 Gallons 159 Liters	70 Lbs. 32 Kg	410 Lbs. 186 Kg	1.6 Gallons 6 Liters	123

\*The calculation for number of flushes is based on using the HTS with SeaLand's VacuFlush components. The number of gallons per flush is .34 [1.29L].

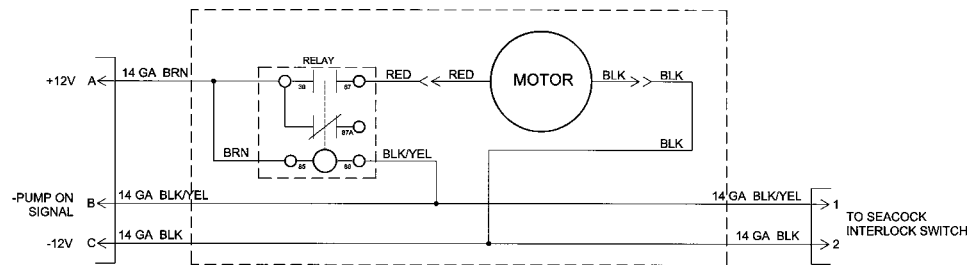


# WIRING

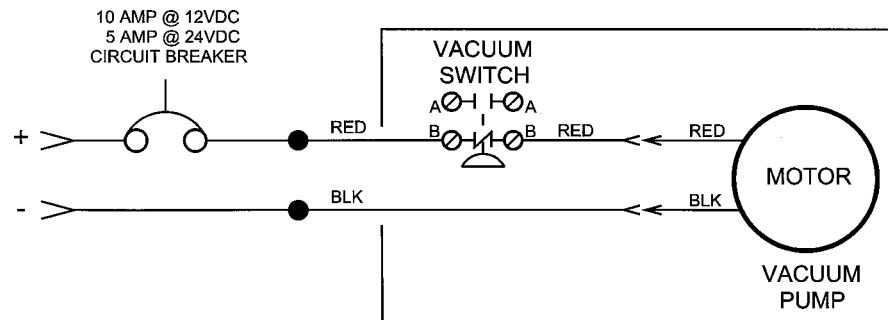
## Overboard Discharge Pump



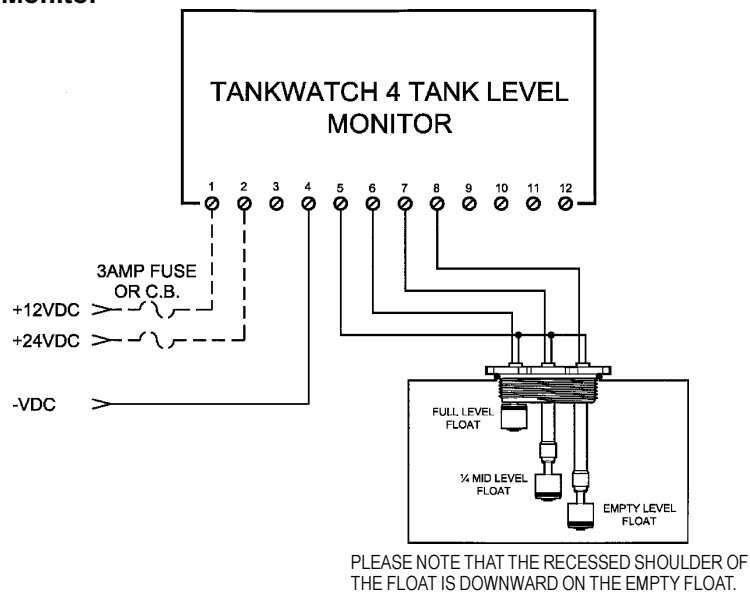
## Overboard Discharge Pump with Seacock Interlock Relay & Deutsch Connectors



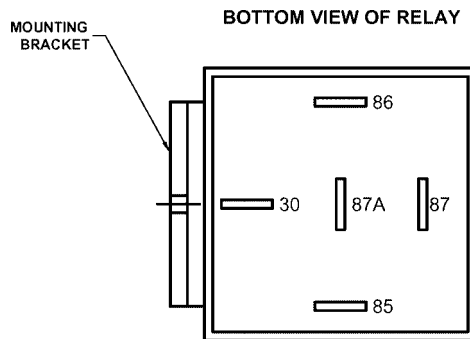
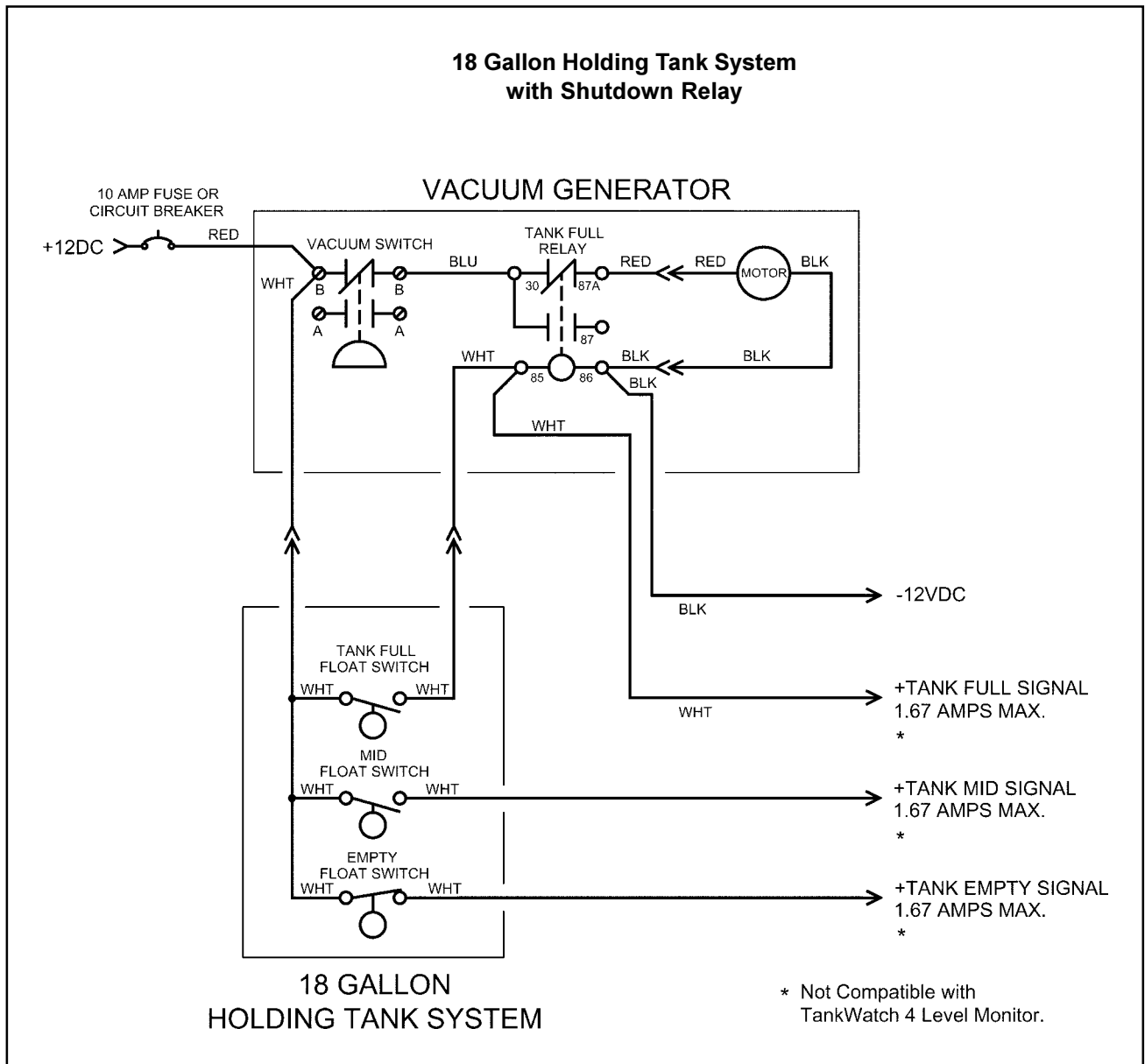
## Vacuum Generator



## Tank Level Monitor



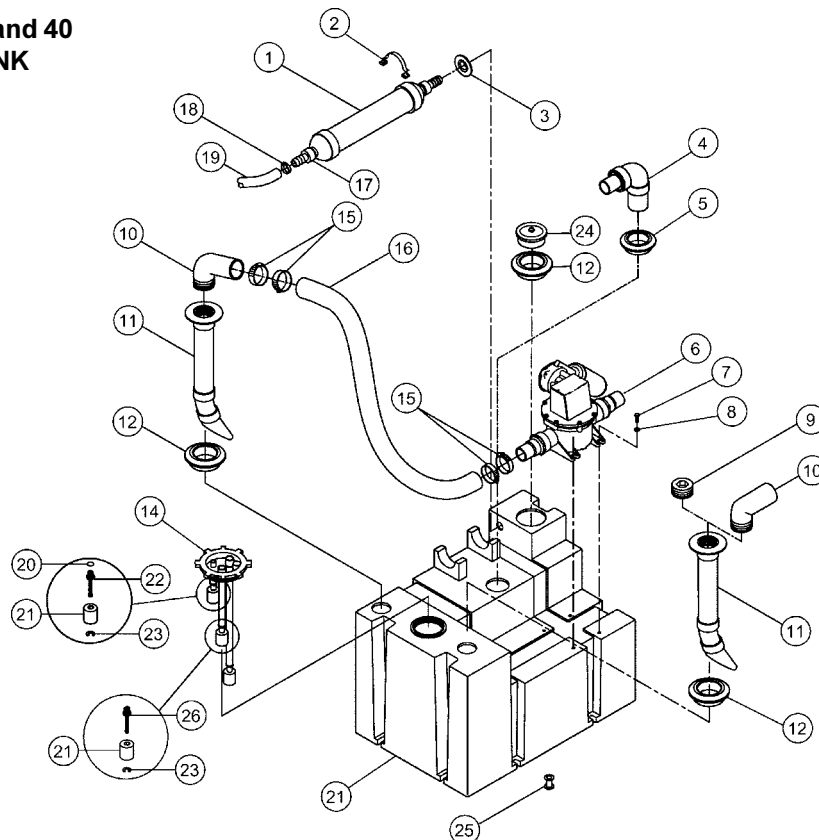
# WIRING (cont'd)



# PARTS LIST

Item	Part Number		Description	Quantity
	28HTS	40HTS		
1	310001		Holding Tank Vent Filter (Does not include item 17)	1
2	310673		Filter Mounting Hardware	1
3	342958		½" Uniseal®	1
4	310635		Inlet Elbow (Includes item 5)	1
5	342932		1 ½" Uniseal	1
6	301200		12VDC Overboard Discharge Pump	1
	401200		12VDC Discharge Pump w/Deutsch Connectors & Relay	
	302400		24VDC Overboard Discharge Pump	
	402400		24VDC Discharge Pump w/Deutsch Connectors & Relay	
7	342467		¼-20 x ¾" Hex Head Screw	4
8	346795		¼" Flat Washer	4
9	342173		1 ½" PVC Male Plug (Used only without optional T Pump)	1
10	342806		1 ½" MPT Elbow x 90	2
11	310647	310648	Diptube Assembly	2
12	343023		2" Uniseal	3
13	310719	310720	Holding Tank, Machined	1
14	310645	310646	TankWatch Cap	1
	310715	N/a	TankWatch Cap w/optional Deutsch connectors	1
15	343071		2" Hose Clamp	4
16	342871		1 ½" OdorSafe® Hose	6"
17	310135		Vent Filter Fittings	2
18	345932		7/8" Hose Clamp	1
19	345688		5/8" Vent Hose	
20	342766		O-Ring	3
21	340423		Float	3
22	340425		Stem, Threaded-End	1
23	340424		Lock Ring	3
24	255247		TankSaver Valve (Includes item 12)	1
25	342798		Mounting Spindle	4
26	343657		Stem, Barbed-End	2

## MODELS 28 and 40 HOLDING TANK SYSTEM

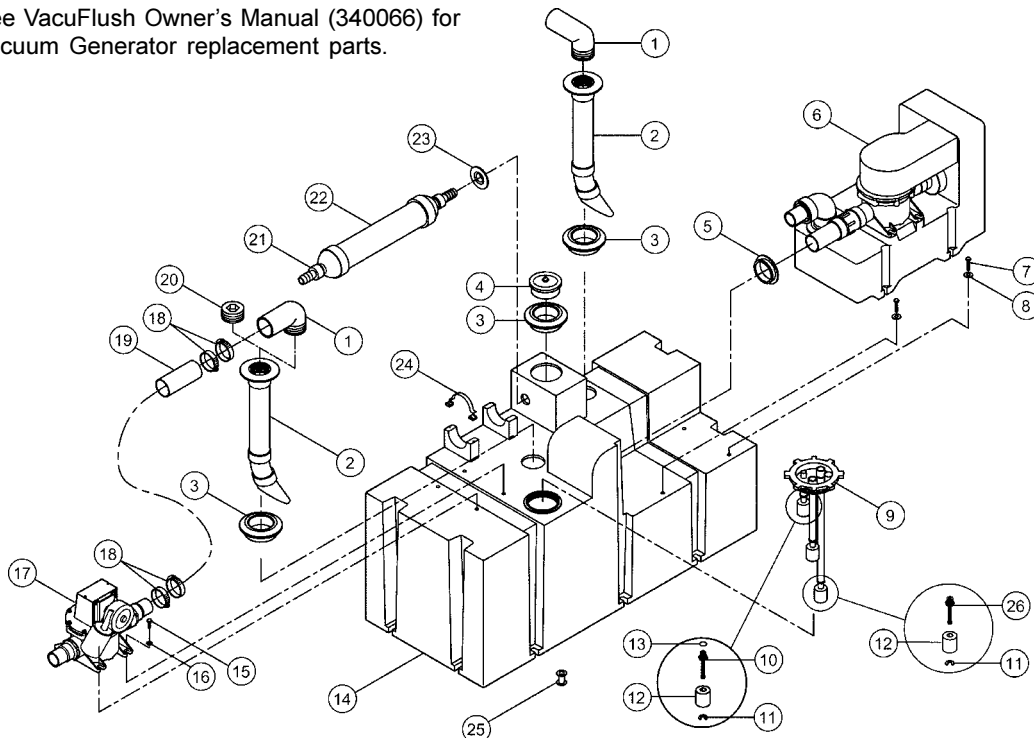


# PARTS LIST (cont'd)

Item	Part No.	Description	Quantity
1	342806	1-1/2" MPT Elbow x 90	2
2	310668	42 HTS Diptube (Includes item 3)	2
3	343023	2" Uniseal	2
4	255247	TankSaver Valve (Includes item 3)	1
5	342932	1-1/2" Uniseal	1
6	310669	12VDC Vacuum Generator (Includes item 5)	1
	310717	12VDC Vacuum Generator w/Deutsch Connector (Includes item 5)	
	310672	24VDC Vacuum Generator (Includes item 5)	
	310718	24VDC Vacuum Generator w/Deutsch Connector (Includes item 5)	
7	341347	1/4-20 x 1-1/4" Hex Head Screw	4
8	347167	1/4" Flat Washer	4
9	310670	TankWatch Cap	1
	310716	TankWatch Cap w/Deutsch Connector-42HTS	
10	340425	Stem, Threaded-End	1
11	340424	Lock Ring	3
12	340423	Float	3
13	342766	O-Ring	3
14	310671	Holding Tank, machined	1
15	342467	1/4-20 x 3/4" Hex Head Screw	4
16	346795	1/4" Washer	4
17	301200	12VDC Overboard Discharge Pump	1
	401200	12VDC Discharge Pump w/Deutsch Connectors & Relay	
	302400	24VDC Overboard Discharge Pump	
	402400	24VDC Discharge Pump w/Deutsch Connectors & Relay	
18	343071	2" Hose Clamp	4
19	342871	1-1/2" OdorSafe Hose	6"
20	342173	1-1/2" PVC Male Plug (Used only without optional T Pump)	1
21	310135	Vent Filter Fittings	2
22	310001	Vent Filter (does not include item 21)	1
23	342958	1/2" Uniseal	1
24	310673	Filter Mounting Hardware	1
25	342798	Mounting Spindle	8
26	343657	Stem, Barbed-End	2

## MODEL 42 HOLDING TANK SYSTEM

See VacuFlush Owner's Manual (340066) for Vacuum Generator replacement parts.

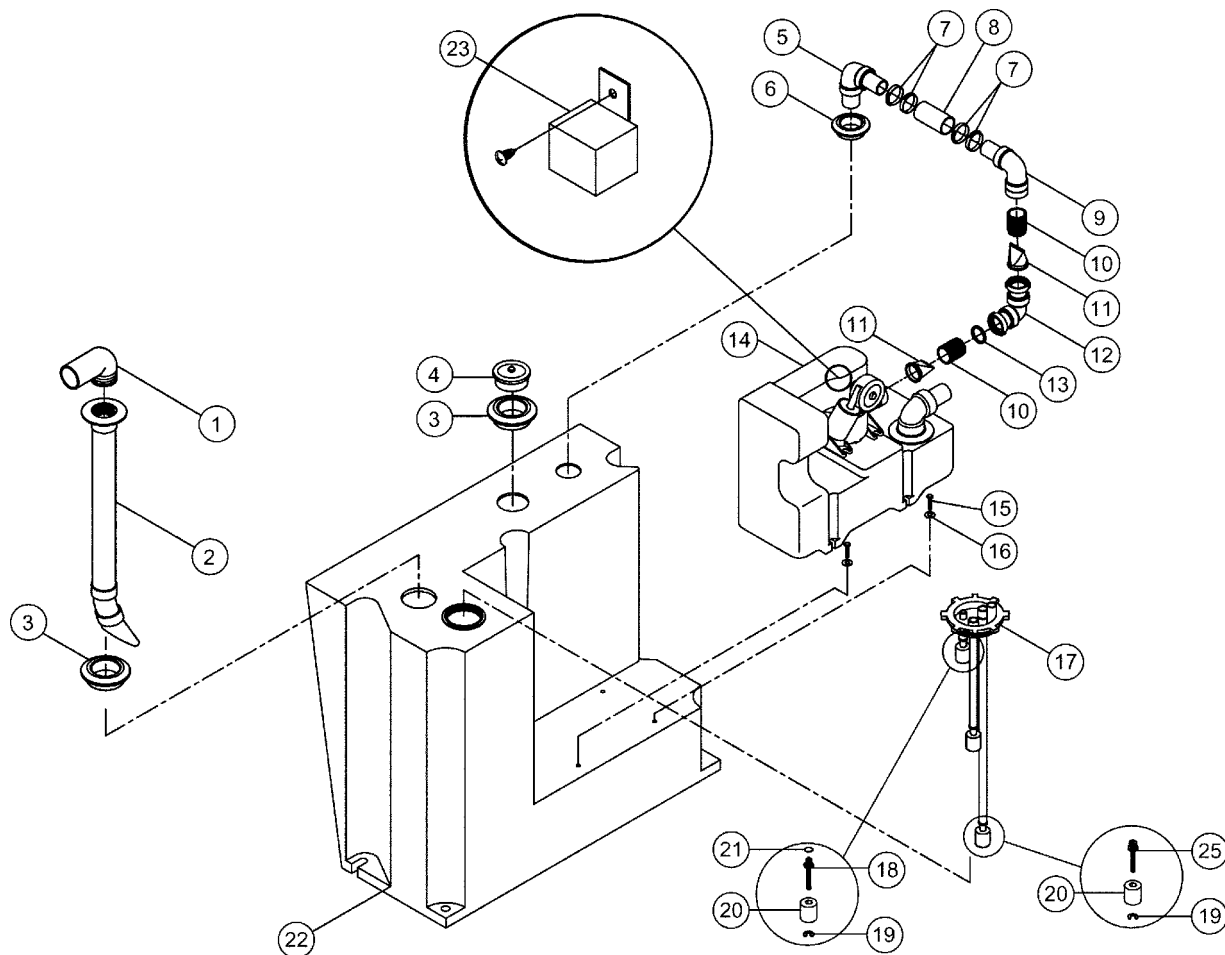


# PARTS LIST (cont'd)

Item	Part No.	Description	Item	Part No.	Description
1	342806	1 1/2" MPTx 90° Elbow	15	341347	1/4-20 x 1 1/4" Hex Head SS Screw
2	310707	Diptube Kit, 18HTS (Includes item 3)	16	347167	Flat Washer, .850 x .294 x .050 SS
3	343023	2" Uniseal	17	310713	TankWatch Cap w/vent, 18HTS
4	255247	1 1/2" TankSaver		310711	TankWatch Cap w/vent, 18HTS/Deutsch Connector
5	310708	1 1/2" Short Elbow Kit (Includes item 6)	18	340425	Stem, Threaded-End
6	342932	1 1/2" Uniseal	19	340424	Float Lock Ring
7	343071	2" SS Hose Clamp	20	340423	Reed Switch Float
8	342871	1 1/2" OdorSafe Hose, 4"	21	342766	O-Ring, 3/8" x 1/2" x .060
9	310709	1 1/2" Sweep Elbow Kit	22	310712	18HTS Tank, Machined
10	342789	1 1/2" Close Nipple	23	343053	Relay, SPDT 12VDC 30/40 Amp
11	347802	1 1/2" Duckbill Valve		343623	Relay, SPDT 24VDC 30/40 Amp
12	310710	1 1/2" Swivel Nut Elbow Kit	24	310714	Optional 10' Wiring Harness with Deutsch Connectors (Not Shown)
13	342781	1 1/2" Slip Joint Seal	25	343657	Stem, Barbed-End
14	759012	12VDC Vacuum Generator			
	759024	24VDC Vacuum Generator			
	760012	12VDC Vacuum Generator/Deutsch Connector			
	760024	24VDC Vacuum Generator/Deutsch Connector			

## 18 GALLON HOLDING TANK SYSTEM

See VacuFlush Owner's Manual (340066) for Vacuum Generator replacement parts.





# MANUFACTURER'S ONE-YEAR LIMITED WARRANTY

SeaLand Technology warrants, to the original purchaser only, that this product, if used for personal, family or household purposes, is free from defects in material and workmanship for a period of one (1) year from the date of purchase.

If this SeaLand Technology product is placed in commercial or business use, it will be warranted, to the original purchaser only, to be free of defects in material and workmanship for a period of ninety (90) days from the date of purchase.

SeaLand reserves the right to replace or repair any part of this product that proves, upon inspection by SeaLand Technology, to be defective in material or workmanship. All labor and transportation costs or charges incidental to warranty service are to be borne by the purchaser-user.

## EXCLUSIONS

IN NO EVENT SHALL **SEALAND TECHNOLOGY** BE LIABLE FOR INCIDENTAL OR CONSEQUENTIAL DAMAGES, FOR DAMAGES RESULTING FROM IMPROPER INSTALLATION, OR FOR DAMAGES CAUSED BY NEGLIGENCE, ABUSE, ALTERATION OR USE OF UNAUTHORIZED COMPONENTS. ALL IMPLIED WARRANTIES, INCLUDING ANY IMPLIED WARRANTY OF MERCHANTABILITY OR FITNESS FOR ANY PARTICULAR PURPOSE, ARE LIMITED TO A PERIOD OF ONE YEAR FROM THE DATE OF PURCHASE.

## IMPLIED WARRANTIES

No person is authorized to change, add to, or create any warranty or obligation other than that set forth herein.

Implied warranties, including those of merchantability and fitness for a particular purpose, are limited to one (1) year from the date of purchase for products used for personal, family or household purposes, and ninety (90) days from the date of purchase for products placed in commercial or business use.

## OTHER RIGHTS

Some states do not allow limitations on the duration of an implied warranty and some states do not allow exclusions or limitations regarding incidental or consequential damages; so, the above limitations may not apply to you. This warranty gives you specific legal rights, and you may have other rights which may vary from state to state.

To obtain warranty service, first contact your local dealer from whom you purchased this product.



*The first choice in marine and RV sanitation.*

13128 State Rt 226, P.O. Box 38, Big Prairie, OH 44611-0038 USA

SeaLand Customer Service

1-800-321-9886

330-496-3211 (8:00 a.m.-5:00 p.m. ET)

Fax: 330-496-3097

[www.sealandtechnology.com](http://www.sealandtechnology.com)

® Registered; ™ Trademark of SeaLand Technology, Inc.

® Uniseal is a registered trademark of Injection Plastics, Inc.

® Taylor★Made is a registered trademark of Nelson A. Taylor Co., Inc.

The Taylor Made Group logo is a trademark of Taylor Made Group, Inc.

© 2000 SeaLand Technology, Inc.